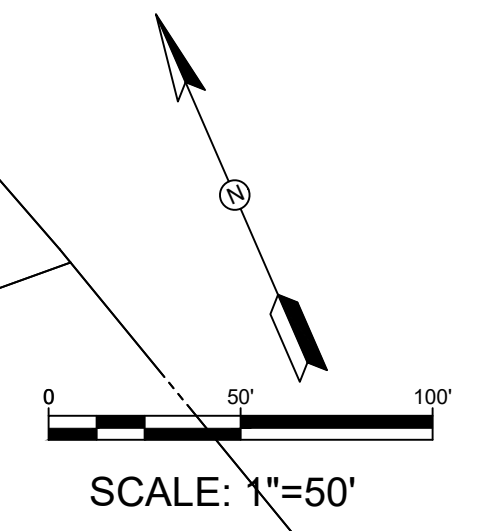
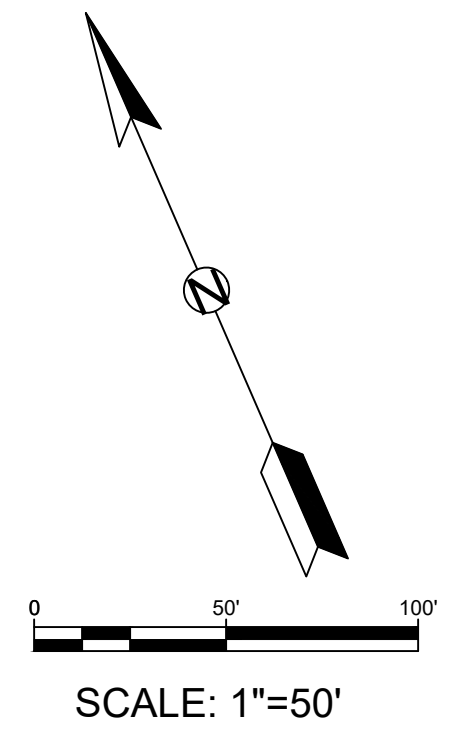


NOTES:

1. ALL SEWER SERVICE MEASUREMENTS TAKEN FROM THE NEAREST DOWNSTREAM MANHOLE.
2. ALL WATER SERVICES ARE 3" SLEEVES ACROSS THE ROAD AND LAND ON LOT LINES AS SHOWN.



AS-BUILTS
 WEATHERSTONE I
 CLARKSVILLE, TENNESSEE



SCALE:	SCALE: 1"=50'
DATE:	09-15-2017
DESIGNED BY:	
DRAWN BY:	
CHECKED BY:	
QUALITY CHECK:	
APPROVED BY:	
REVISED:	
DWG:	
PROJECT NO.:	
SHEET NO.:	AB-1